



IR Ingersoll Rand®
Engine Starting Systems

ST500 Series





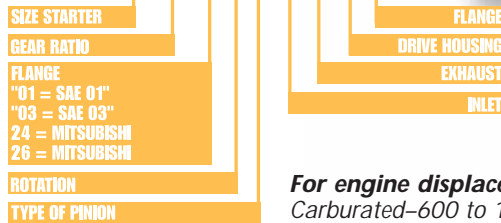
Air Starters

ST500 Series



ST500 SERIES MODEL CODING

ST544 F 03 R 25 0 2 F J



For engine displacement of: Diesel-300 to 6,000 CID (5 to 100 liters)
Carburated-600 to 12,000 CID (10 to 200 liters)

Features/Benefits

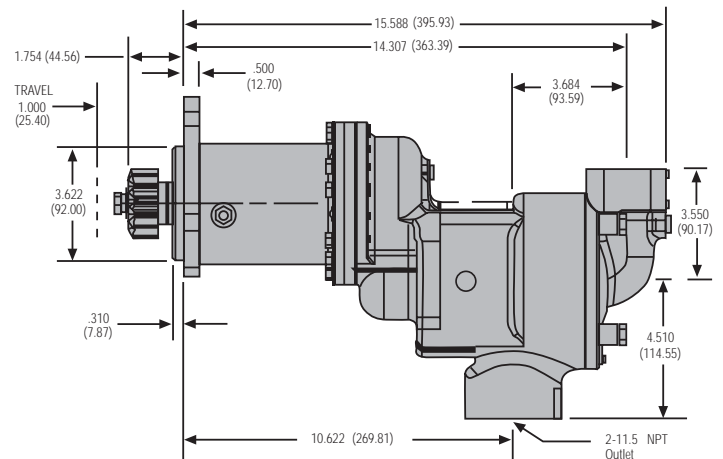
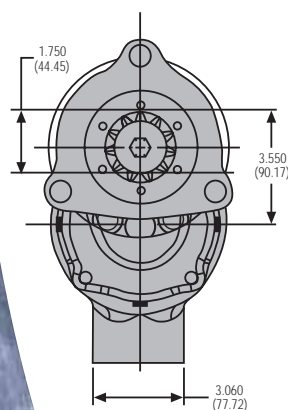
- Powerful 44 hp turbine motor uses no external lubrication
- Splined output shaft allows for smooth torque transmission
- Sealed for air and gas applications
- Steel insert at inlet ensures a solid connection
- Smooth pre-engagement piston minimizes ring gear wear

Versatile

- Left- or right-hand rotation available
- 30-150 psi (2.1-10.3 bars) operation
- Optional pinions and flanges for any engine

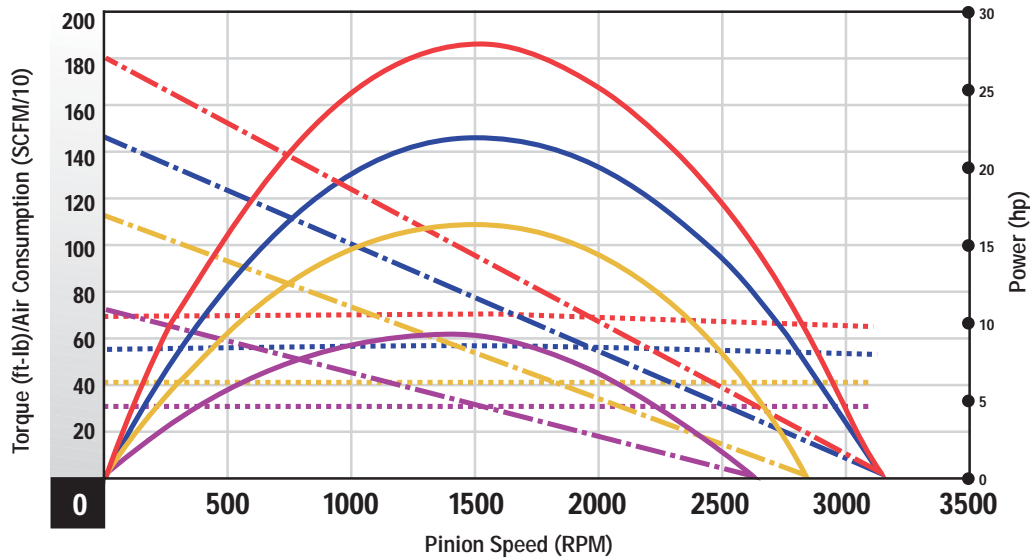
ST500 Series DIMENSIONS

Weight lbs (kg)	
ST500	38 (17.2)



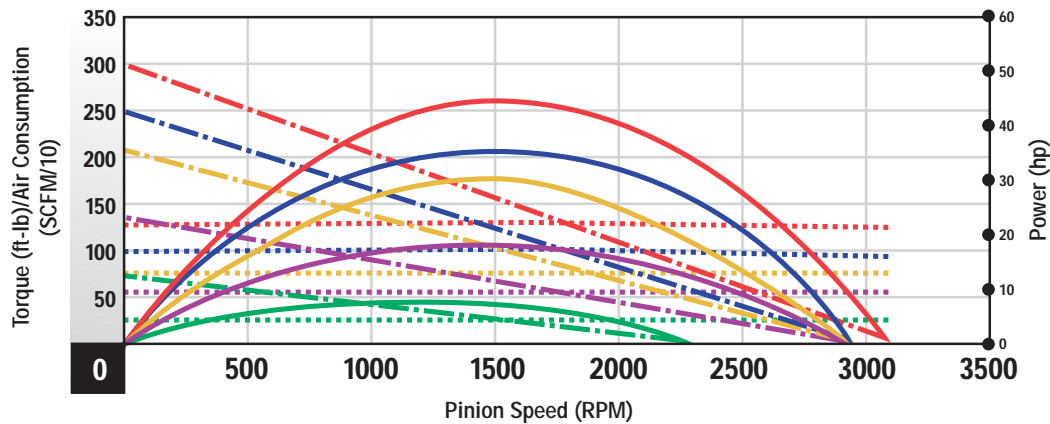
Note: All dimensions shown are for reference only.
Specifications subject to change without notice.

ST500 Series

ST544 Performance, 44% Arc Curve


ST544 Performance Information

Pressure PSI (bar)	Breakaway Torque ft-lb (Nm)	Speed @ Max HP RPM	Max Power HP (kW)	Flow @ Max HP SCFM (L/s)
60 (4.1)	74 (100)	1296	9 (7)	310 (146)
90 (6.2)	113 (153)	1480	16 (12)	430 (203)
120 (8.3)	147 (200)	1580	22 (17)	570 (269)
150 (10.3)	182 (247)	1620	28 (21)	710 (335)

ST599 Performance, 99% Arc Curve


ST599 Performance Information

Pressure PSI (bar)	Breakaway Torque ft-lb (Nm)	Speed @ Max HP RPM	Max Power HP (kW)	Flow @ Max HP SCFM (L/s)
30 (2.1)	72 (98)	1185	8 (6)	340 (160)
60 (4.1)	132 (179)	1500	19 (14)	580 (274)
90 (6.2)	206 (280)	1530	30 (23)	780 (368)
120 (8.3)	247 (336)	1540	36 (46)	1000 (475)
150 (10.3)	295 (400)	1560	44 (58)	1240 (585)



Ingersoll-Rand®

Engine Starting Systems

Ingersoll-Rand Company

1725 U.S. Hwy #1-N

Southern Pines, NC, USA 28387

Ingersoll-Rand Company

P.O. Box 8000

Southern Pines, NC, USA 28388

Your IR Distributor: