

ARO

PD07R 3/4" Port Metallic Diaphragm Pump

Ideal for OEM installations and General Industrial applications where peak performance, endurance and reliability are a must.

■ **Productivity**

Maximized flow rates + Minimized pulsation and air consumption = Maximum Performance

■ **Reliability**

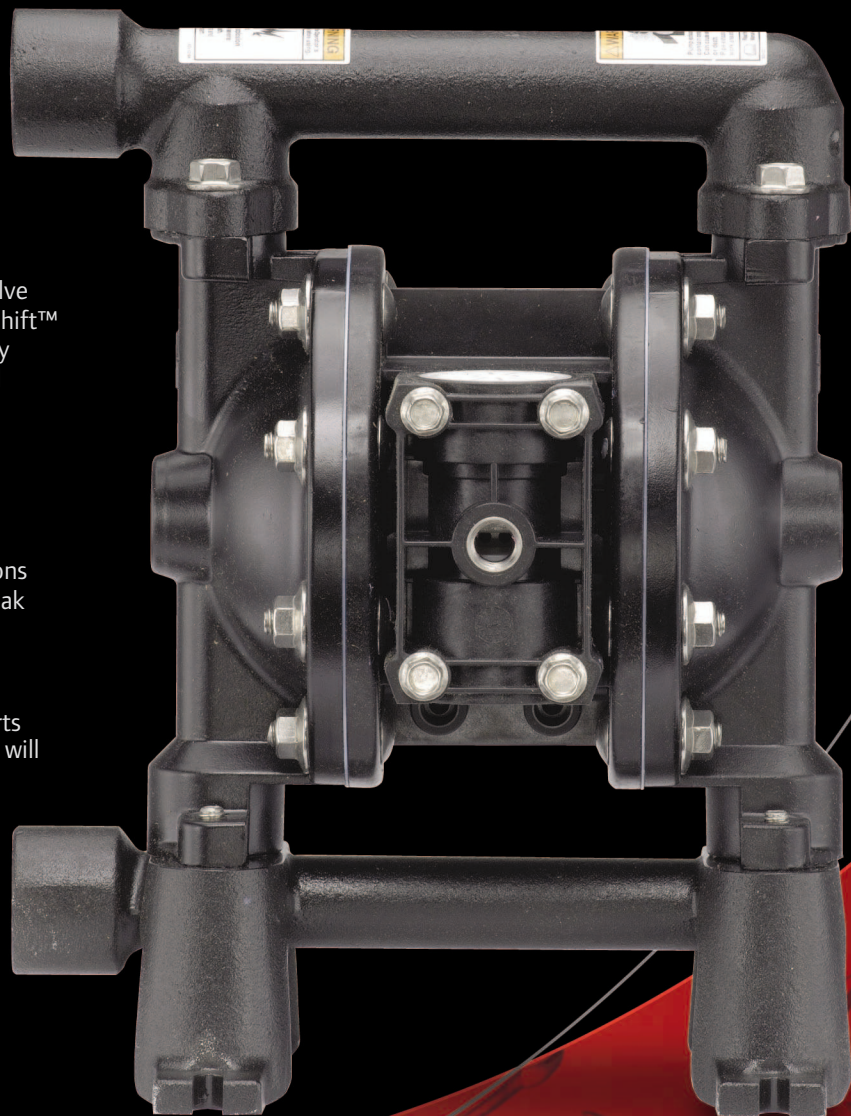
Lube Free Patented Differential Valve both on Major air valve and Simulshift™ (Pilot Valve) provides reliable Worry Free Operation – Fluid On demand every time

■ **Environmentally Sound**

Bolted Construction in conjunction with a wide range of material options provides maximum chemical and leak resistance

■ **Serviceability**

Modular Construction, reduced parts count and simple to use repair kits will minimize repair time and cost



See reverse side for performance specifications and ordering information

3/4" Metallic Performance Specifications

Ratio:	1:1
Maximum Flow:	13.6 g.p.m. (51.5 l.p.m.)
Displacement per cycle:	.030 gallons (.11 liters)
Air Inlet: (Female)	1/4 - 18 P.T.F. SAE Short
Fluid Inlet:	3/4 - 14 N.P.T.F. - 2 / Rp 3/4(3/4-14 BSP,parallel)
Max. operating pressure:	100 psi (6.9 bar)
Suspended solids max. dia.:	3/32 in. (2.4 mm)
Weight: lbs (kg)	8.74 (3.96 kg)
Maximum dry suction lift:	6.93 ft. (2.11 m) PTFE fitted



Ordering Menu

PD07	R	-	X	X	S	-	X	X	X
Model Series	Center Section Material	Fluid Connection	Fluid Caps/ Manifold Material	Hardware Material	Seat Material	Ball Material	Diaphragm Material		
Standard	R Polypropylene	A 3/4" N.P.T. B 3/4" BSP	A Aluminum	S Stainless Steel	F Aluminum P Polypropylene S Stainless Steel	A Santoprene® C Hytrel® T PTFE	A Santoprene® C Hytrel T PTFE		

Accessories (for additional accessories refer to form 0604-P)

Air Line Connection Kit | Kit No. 66073-1

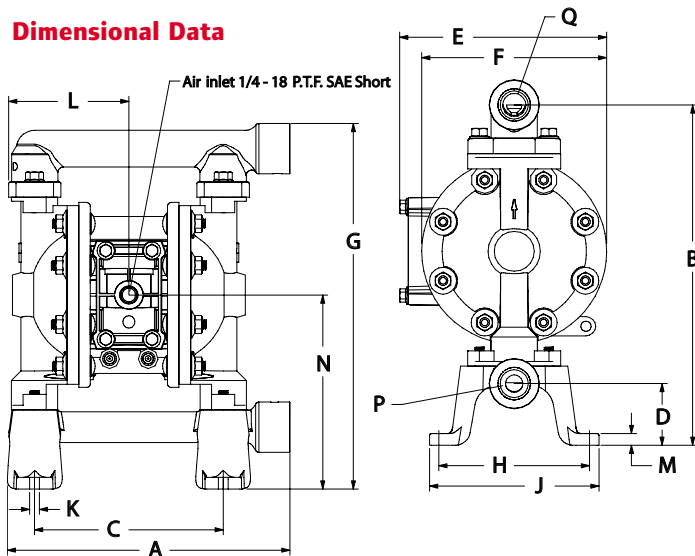
Kit includes Piggyback Filter/Regulator with gauge, pipe nipple and a 5-foot section of air hose.

Service Repair Kits | Kit No. 637428 (air motor), Kit No. 637427-XX (fluid section)

Muffler Kit | Kit No. 637438 (ported exhaust)

*Please note pumps are not included with these kits.

Dimensional Data



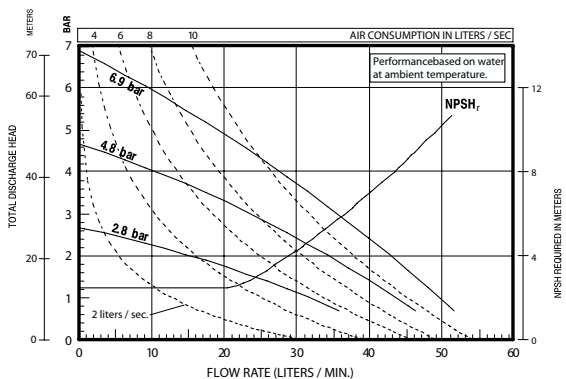
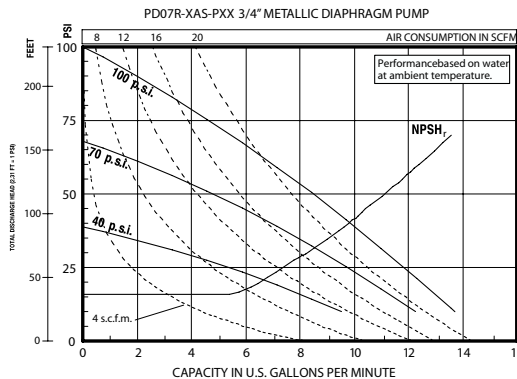
DIMENSIONS

A - 9-9/32" (235.3mm)	F - 6" (152.4mm)	L - 3-29/32" (99.2mm)
B - 11-1/16" (280.4mm)	G - 11-7/8" (301.2mm)	M - 3/8" (9.5mm)
C - 6-1/8" (155.6mm)	H - 4-29/32" (124.2mm)	N - 6-5/16" (159.8mm)
D - 2" (50.8mm)	J - 5-1/2" (139.7mm)	
E - 6-23/32" (170.6mm)	K - 5/16" (8.0mm)	

Model	"P" Material Inlet	"Q" Material Outlet
PD07R-AAS-PXX	3/4- 14N.P.T.F. - 2	3/4- 14 N.P.T.F. - 2
PD07R-BAS-PXX	Rp 3/4(3/4- 14 BSP)	Rp 3/4(3/4- 14 BSP)

NOTE: Dimensions are shown in inches and (mm) and are supplied for reference only

Flow Curves



Refer to www.irttools.com for full size flow curves.

For additional information contact technical support at (800)495-0276