

Air motors

Ingersoll Rand

Air Motors



Air motors



22ME series



4840 series



MRV015A

MRV003A

REVERSIBLE AIR MOTORS WITH PLANETARY GEARING

Non-reversible motors of the same design available on request

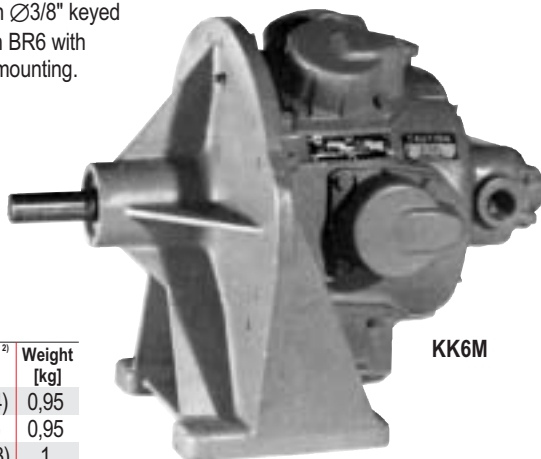
Model	Power [kW]	Max. speed [rpm] ¹⁾	Torque [Nm] ²⁾	Weight [kg]	Model	Power [kW]	Max. speed [rpm] ¹⁾	Torque [Nm] ²⁾	Weight [kg]
22ME-3600 ³⁾	0,21	4400(1940)	1,0 (1,6)	0,5	1841N	0,89	1700 (800)	12,6 (17)	2,5
22ME-2250 ³⁾	0,21	2900(1215)	1,4 (2,4)	0,5	1841P	0,82	900 (430)	20,3(27,1)	2,67
22ME-900 ³⁾	0,2	1080 (455)	3,5 (6,4)	1,1	1841Q	0,82	550 (260)	36,6(48,8)	2,67
22ME-540 ³⁾	0,2	680 (280)	5,7 (10,2)	1,1	1841U	0,82	380 (175)	50,2(67,8)	2,67
22ME-360 ³⁾	0,19	420 (185)	8,8 (14,9)	1,1	1841W	0,82	320 (150)	61 (81,4)	2,67
M002RVR101AR3	0,08	209 (104)	9,1 (12,2)	0,54	3840M	1,04	825 (390)	31,2(42,7)	3,35
M002RVR159AR3	0,08	132 (66)	14,5(19,3)	0,54	3840P	1,01	440 (215)	54,2(72,6)	3,97
2202ME-3200 ³⁾	0,28	3600(1650)	1,8 (2,7)	0,7	3840Q	1,01	280 (130)	81,4 (106)	3,97
2202ME-2000 ³⁾	0,28	2300(1100)	2,7 (4,1)	0,7	3840R	1,01	238 (122)	93 (125)	3,97
2202ME-750 ³⁾	0,28	850 (420)	7,5 (11,3)	1	3840S	1,01	190 (100)	116 (156)	3,97
2202ME-480 ³⁾	0,28	550 (270)	10,9(17,6)	1	3840U	1,01	162 (83)	135 (181)	3,97
2202ME-320 ³⁾	0,27	350 (170)	18,3(27,1)	1	4840D	2,46	9100(4550)	7 (9,4)	6,92
M004RVR050AR3	0,23	280 (140)	12,3(16,5)	1,2	4840K	2,39	1429 (711)	43,4(57,9)	6,92
M004RVR083AR3	0,23	169 (84)	20,6(27,5)	1,2	4840M	2,39	975 (485)	64 (85,4)	6,97
33ME-720	0,56	750 (370)	13,3(19,9)	1,8	4840N	2,39	675 (336)	91,7 (122)	6,92
33ME-405	0,55	425 (210)	23,7(36,1)	1,8	4840P	2,24	475 (228)	126 (170)	9,13
33ME-220	0,54	220 (105)	43,8(65,8)	1,8	4840Q	2,24	350 (167)	167 (224)	9,13
M007RVR119BR6	0,46	148 (74)	48 (64)	3,4	4840S	2,24	255 (125)	218 (292)	9,13
M007RVR151BR6	0,46	117 (58)	61 (81)	3,4	4840U	2,24	170 (83)	305 (407)	9,13
M007RVR188BR6	0,46	94 (47)	76 (102)	3,4	1800 series with Ø1/2" keyed shaft and two hole face mount, 3800 series with Ø3/4" keyed shaft and 6 hole face mount, 4800 series with Ø1" keyed shaft and 6 hole face mount. For square drive shaft add "2" to the model number.				
M007RVR275BR6	0,46	64 (32)	111 (148)	3,4					
M007RVR374BR6	0,46	47 (23)	152 (202)	3,4					

³⁾ - Part number shall be amended with -RSR1B (rear exhaust, Ø11h6 shaft), or -SSR1B (side exhaust, Ø11h6 shaft). Option: xxMA-xxx-SSR3A (side exhaust, Ø3/8"h7 shaft, two hole flange).

M007 series ending with AR3 are with Ø3/8" keyed shaft and two hole flange, ending with BR6 with Ø3/4" keyed shaft and six hole face mounting.



728 series



KK6M

0,44 kW stainless steel airmotors

Reversible	Max. speed [rpm] ¹⁾	Torque [Nm] ²⁾	Weight [kg]
728RVR004BRM	3600(1800)	2,6 (3,4)	0,95
728RVR007BRM	2000(1000)	4,5 (6)	0,95
728RHR012BRM	1100 (550)	8,7(11,3)	1
728RVR017BRM	800 (400)	11,4 (15)	1
728RVR023BRM	600 (300)	15 (20)	1
728RVR031BRM	450 (225)	21 (28)	1
728RVR058BRM	240 (120)	38 (50)	1,2
728RVR077BRM	180(90)	51 (68) ⁴⁾	1,2
728RVR103BRM	136 (68)	67 (90) ⁴⁾	1,2
728RVR254BRM	54 (27)	170(230) ⁴⁾	1,3
728RVR350BRM	40 (20)	230(306) ⁴⁾	1,3

⁴⁾ - Not recommended for >60 Nm

Options: non-reversible or with brake

Piston airmotors – chosen models

Reversible	Power [kW]	Max. speed [rpm] ¹⁾	Torque [Nm] ²⁾	Weight [kg]
HHM	8,43	1450(730)	144(206)	107
HH5M	11,3	1500(750)	198(264)	113
KK6M	18,6	1500(755)	353(441)	216
KK5B546 ⁵⁾	21,6	1800(900)	248(407)	113
KK5B550 ⁵⁾	22,3	1750(880)	274(441)	113

⁵⁾ - Please amend the part number with -A0A0A

NON-LUBE AIR MOTORS⁶⁾

Reversible direct drive	Power [kW]	Max. speed [rpm] ¹⁾	Torque [Nm] ²⁾	Weight [kg]
MRV003A	0,25	15200 (7600)	0,39 (0,5)	0,6
MRV005CL	0,37	12500 (6000)	0,61 (0,8)	0,8
MRV009A	0,66	8070 (3000)	2,3 (3,1)	3,4
MRV015A	1,1	7900 (3000)	3,5 (5,6)	2,4
MRV040A	2,7	7900 (3000)	7,2 (11,8)	7,4
MRV050A	3,6	7000 (2500)	13,6 (19)	10,2
MOV075AA ⁶⁾	7,8	5600 (2600)	30,5 (40)	29

⁶⁾ - MOV075AA requires air lubrication

Reversible with spur gear	Max. speed [rpm] ¹⁾	Torque [Nm] ²⁾	Weight [kg]
MRV009FC102-3	2200(1100)	4,6 (5,4)	8,5
MRV009FC102-5	1200 (610)	9,8 (12)	8,5
MRV009FC102-10	600 (297)	20 (25)	8,5
MRV009FC102-17	400 (174)	34 (43)	8,5
MRV009FC102-20	300 (145)	41 (50)	8,5
MRV009FC102-25	240 (118)	50 (62)	8,5
MRV009FC102-32	200 (91)	65 (82)	8,5
MRV009FC102-43	170 (69)	86 (108)	8,5
MRV009FC202-54	150 (54)	109 (136)	9,5
MRV009FC303-82	122 (36)	165 (206)	12,3
MRV009FC303-102	100 (29)	204 (255)	12,3
MRV015FC102-3	2200(1100)	7 (9,5)	9,2
MRV015FC102-5	1200 (610)	17 (27)	9,2
MRV015FC102-10	600 (297)	35 (56)	9,2
MRV015FC102-13	400 (223)	47 (75)	9,2
MRV015FC102-20	300 (150)	70 (112)	9,2
MRV015FC202-25	240 (120)	85 (136)	11
MRV015FC202-30	200 (100)	104 (165)	11
MRV015FC302-45	122 (66)	159 (252)	14
MRV015FC302-52	100 (57)	184 (293)	14
MRV015FC403-80	80 (35)	285 (452)	30
MRV015FC403-102	60 (28)	361 (574)	30
MRV040FC202-3	1850 (925)	14,3 (19)	15
MRV040FC202-5	1200 (610)	34 (56)	15
MRV040FC202-10	600 (310)	69 (113)	15
MRV040FC302-15	400 (190)	112 (184)	17
MRV040FC302-20	300 (145)	144 (236)	17
MRV040FC402-25	240 (120)	179 (295)	33
MRV040FC402-31	200 (95)	225 (370)	33
MRV040FC402-44	170 (65)	322 (528)	33
MRV040FC502-57	100 (50)	409 (672)	45
MRV040FC502-85	80 (35)	615(1010)	45
MRV040FC502-100	60 (28)	725(1190)	45
MRV050FC302-5	1000 (500)	67 (95)	21
MRV050FC302-10	500 (250)	126 (176)	21
MRV050FC402-15	320 (166)	214 (300)	36
MRV050FC402-20	250 (125)	268 (376)	36
MRV050FC402-25	200 (100)	339 (475)	36
MRV050FC502-33	160 (75)	446 (627)	50
MRV050FC502-40	140 (61)	547 (767)	50
MRV050FC502-47	120 (52)	645 (908)	55
MRV050FC603-79	100 (30)	1067(1514)	55

Face mount as standard. Optional base mount: replace "FC" with "BC" in the model number.

¹⁾ - Maximum free speed (in brackets: speed at max. power). ²⁾ - Nominal torque (in brackets: stall torque). Specifications at 620 kPa air pressure.

All models with round shaft and key (except MRV003A – round shaft only, MRV005C – flat on shaft only).

Other models and more detailed specification on request.